



25x Integrated ScanDome™ II

Features

- ▶ Built-in 25x Optical Zoom Lens, Fast speed Pan/Tilt driver and RS-485/422 receiver
- ▶ Ultra low light by True Day & Night or Digital Slow Shutter
0.1 lx at Day & Night BW mode, 0.01 lx at Digital Slow Shutter
- ▶ 4.9" Bubble dome Pan/Tilt/Zoom system
- ▶ Simple & Easy installation
- ▶ Built-in multi protocol for easy interface with DVR or Matrix switcher
- ▶ Up to 99 selectable camera addresses
- ▶ Up to 380°/sec. pan and tilt speed (preset recall speed).
- ▶ Up to 8 programmable guard tours, 240 programmable presets, 4 memorized user control patterns
- ▶ Privacy masking zone
- ▶ Flip function to follow objects.
- ▶ Built-in power-line surge protection and lightning protection.
- ▶ 8 alarm inputs and 4 outputs
- ▶ Outdoor external pendant mount housing with heater and blower (optional).
- ▶ In-door pendant mounted housing (optional).



HSDN-251NS / HSDN-251PS

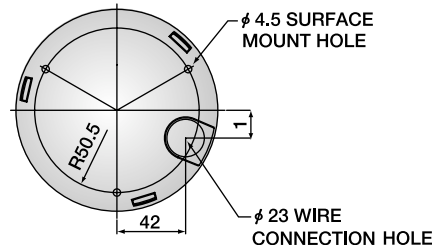
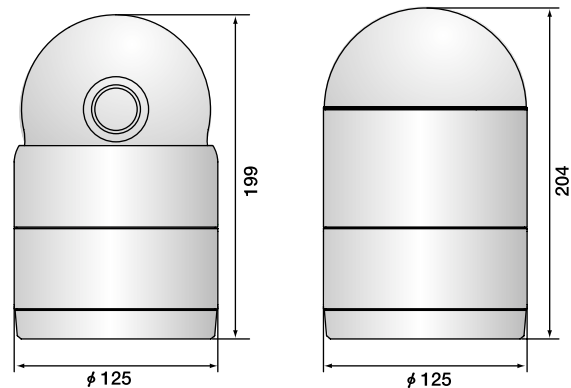
1/4", 25x Zoom, Day Night, 0.01 lx



Technical Information

Model	HSDN-251NS	HSDN-251PS
Pick-up Device	1/4" Super HAD Color CCD (Sony) 768x494 / 752x582	
Television System	NTSC, 525 Lines, 2:1 Interlace / PAL, 625 Lines, 2:1 Interlace	
Horizontal Resolution	470 TV Lines	450 TV Lines
Min. Illumination	1.0 lx (Color, F=1.6 to F3.7, 3.8mm to 95mm) 0.1 lx (B/W, Day/Night) 0.01 lx (Color, Digital Slow Shutter)	
Lens	25x optical zoom with auto focus (8x digital zoom)	
S/N Ratio	more than 48dB	
Video Output	Composite (1.0Vp-p), 75 ohms, BNC	
Dome		
Dome Size	4.9 inch	
Pan Angle / Speed	360° Continuous Rotation, 0.5° ~ 90°/sec Turbo speed : 360°/sec	
Preset Speed	Max, 380°/sec	
Tilt Angle / Speed	0° ~ 90°, 0.5° ~ 90°/sec (according to Zoom Ratio)	
Preset	240 positions (16 Characters Input)	
Guard Tour	8 guard tours (Preset, Pattern, AutoScan, Tour Input)	
Pattern	4 Pattern, 120sec Memory	
Remote Control	RS-485/422 baud rate : 9600bps	
AUX	2 Relay 24 VDC / 1A (selectable NC/NO)	
Alarm Input / Output	8 Inputs (Normal Open dry contact (NC/NO)) 4Output (Relay Output)	
On-Screen Display	Camera ID / Local ID Display	
Electrical		
Power Source	22 ~ 30 VAC, 24VAC normal, 850mA (Built-in Power-line surge Circuit)	
Environmental		
Operating Temperature	Indoor	0℃ ~ 50℃
Temperature	Outdoor	-40℃ ~ 50℃ (HSGN-502SH)
Operating Humidity	0 ~ 90%RH (non-condensing)	
Storage Temperature	-20℃ ~ 60℃	
Mechanical		
Material	Aluminum	
Color	Black	
Weight	1,700g	
Dimensions	φ 125 x 204(D) mm	
Certification	CE, FCC	

Dimensions & Connections



BOTTOM VIEW

(Unit : mm)